

**!** Yale hoists and trolleys are not designed for passenger elevation applications and must not be used for this purpose.

## Cable puller model Yaletrac

**Pulling force 800 - 3200 daN**

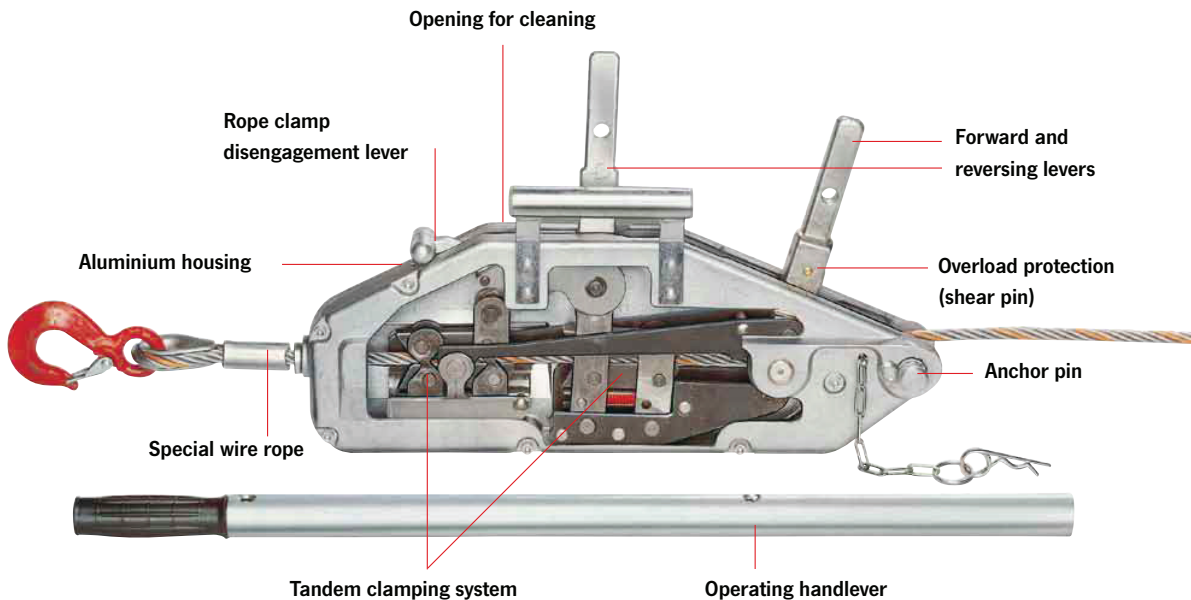
It has a light weight, compact, high tensile aluminium alloy housing with a large flat bottom surface for increased stability in horizontal as well as vertical working position.

### Features

- Forward and reversing levers in tandem provide slim design and assure power transfer along the centre line.
- Overload protection is by a shearing pin in the forward lever. Spare shear pins are conveniently located in the carrying handle or operating lever. A broken pin can be replaced without removing the load.
- A lever disengages the rope clamp system allowing easy, smooth installation of the rope.
- Yaletrac uses a special flexible rope. It has six strands with a steel core and is identified by an orange strand. The rope is tapered at one end for easy threading and fitted with an eye sling hook with safety latch on the other end.
- The parallel arrangement of the clamping system protects the rope by distributing the clamping forces evenly. A long rope advance per each lever stroke increases the working speed.
- The large opening in the top of the unit allows easy cleaning: simply flush the unit with water, apply motor oil for lubrication and the Yaletrac is again ready for use.

### Options

- Eye sling hook with safety latch
- Longer ropes
- Drum reel
- Storage box

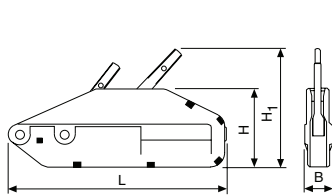


## Technical data model Yaletrac

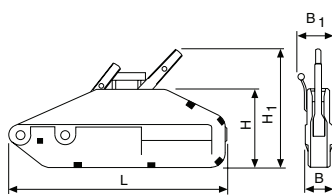
Model	EAN-No. 4025092*	Capacity WLL kg	Rope advance per double stroke in mm	Lever pull at WLL daN	Lever length mm	Rope diameter mm	Weight without rope kg	Rope weight kg/m
Y 08	*051811	800	60	24	800	8.4	7	0.29
Y 16	*051828	1600	60	30	790/1190	11.5	14	0.53
Y 32	*078870	3200	40	50	790/1190	16	21	1

## Dimensions model Yaletrac

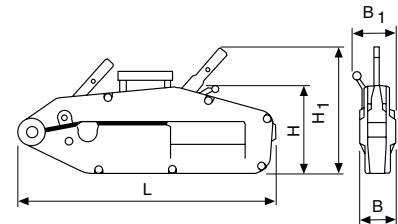
Model	Y 08	Y 16	Y 32
L, mm	430	545	680
H, mm	168	190	230
H1, mm	240	270	330
B, mm	60	72	91
B1, mm	-	97	110



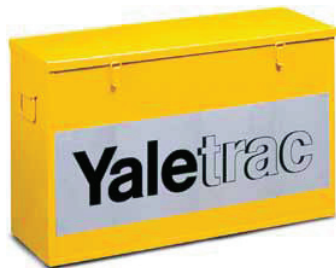
Model Y 08



Model Y 16



Model Y 32



Option:  
Yaletrac storage box made from steel plate,  
approx. 74x26x45 cm



Option:  
Eye sling hook with safety latch

Complementary products available  
like cable grips (see page 93), pulley blocks  
(see page 92) and textile slings  
(see pages 230-233).