

**Barrel grab
model TFA 0,35/700 R
and TFA 0,35/700 TR**

Capacity 350 kg

These barrel grabs are designed for transport of steel barrels. The clamping jaws press securely with positive fit underneath the rim of the barrel.



Model TFA-R



Model TFA-TR

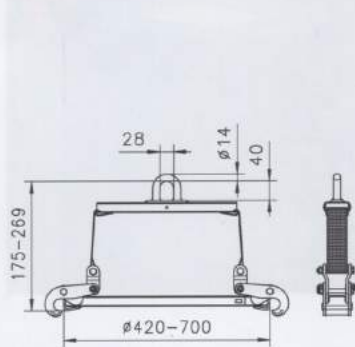
INFO

TFA 0,35/700 TR is a combination unit for the transport of barrel that can be used with either an overhead crane or forklift.

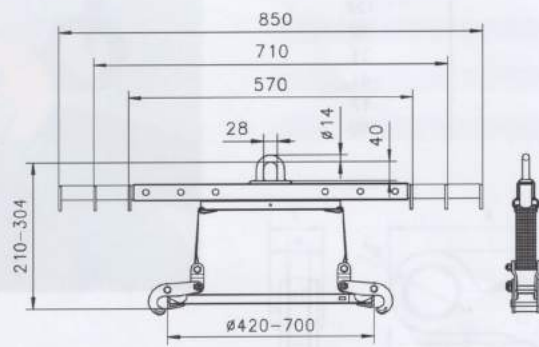
For barrels according to EN ISO 15750-2.

Technical data model TFA R/TR

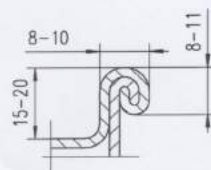
Model	EAN-No. 4025092*	Capacity kg	Jaw capacity Z diameter mm	Weight kg
TFA 0,35/700 R	*551014	350	420 - 700	5.7
TFA 0,35/700 TR	*551472	350	420 - 700	9.2



Model TFA-R



Model TFA-TR



Relevant barrel dimensions