

# Yale **UNOplus**

Ratchet lever hoist **Series A**



# Yale **UNOplus** Series A *new!*

The *UNOplus-Series A* ratchet lever hoist is the result of further technical development of the *UNOplus*, which has proven itself over many years.

The versatile tool for lifting, pulling and securing of loads is characterised by its compact design, robust stamped steel construction and the smoothly running free chaining device. The further reduced weight optimizes operation, makes the application even more comfortable and the *UNOplus-Series A* to a convenient, versatile device.

## CAPACITIES 750 - 6000 KG

### BENEFITS & FEATURES

#### EASY TO USE

Due to optimized gearing and improved bearings in the housing cover a minimum effort is required to operate the short hand lever.

#### RUGGED DESIGN

Impact resistant stamped steel frame and gear cover withstands repeated rigorous use.

#### LOAD PRESSURE BRAKE

Even today, the load pressure brake, based on the principle of Thomas Weston's patent of 1875, is still used in our manual hoists.

#### EASY & SMOOTH FREE CHAINING

For quick take up and positioning of slack chain – even with one hand. Designed not to accidentally free chain while under load. Cast chain end stop allows the user to easily position the chain in free-chaining mode and prevents it from entering the liftwheel and jamming the hoist.

#### RELIABLE LOAD GUIDANCE

The load chain runs in the load sheave and is secured against unintentional slipping by the closed chain guide.

#### NON SLIP RUBBER HANDLE GRIP

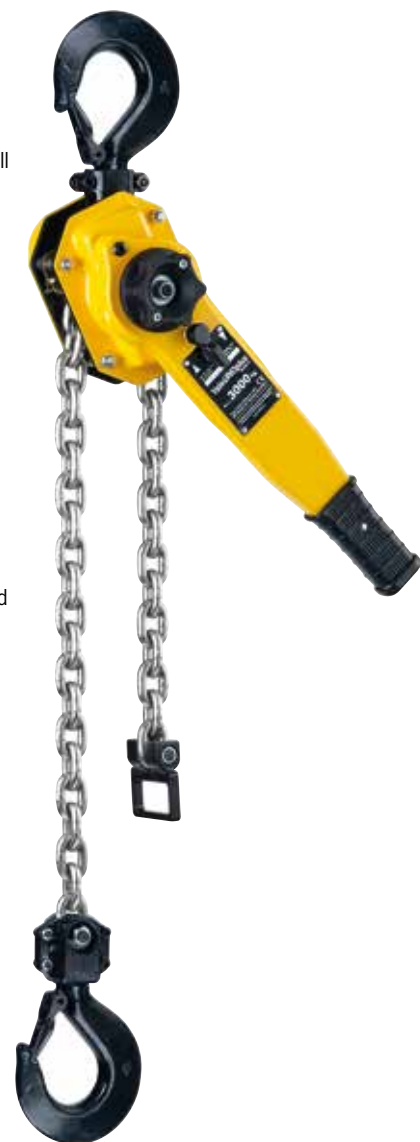
Comfortable rubber grip provides for extra protection against slippage.

#### CORROSION PROTECTION

Robust chain guide, chain stripper and parts of the brake are zinc-plated and yellow-chromated for corrosion protection.

#### EASY-TO-INSPECT SWIVEL HOOKS

Bolt on hooks with nyloc nuts simplify the inspection process. Hooks are forged, allowing them to yield under overload without breaking. Cast safety latches provide positive and secure load engagement.

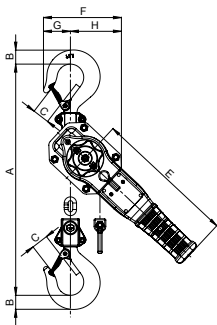


## Technical data UNOplus-A

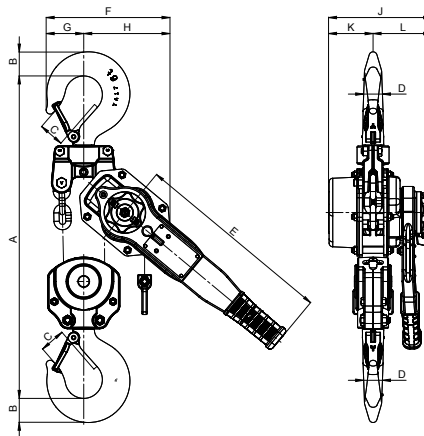
Model	Art.-No.	Capacity kg	Number of chain falls	Chain dimensions d x p mm	Lift with one full lever turn mm	Handle pull at WLL daN	Weight at standard lift (1.5m) kg
UNOplus-A 750	192049841	750	1	5.6x17.1	27	22	6.3
UNOplus-A 1500	192049940	1500	1	7.1x21	22	35	9.2
UNOplus-A 3000	192050025	3000	1	10x28	20	40	16.9
UNOplus-A 6000	192050579	6000	2	10x28	10	43	28.6

## Dimensions UNOplus-A

Model	UNOplus-A 750	UNOplus-A 1500	UNOplus-A 3000	UNOplus-A 6000
A min., mm	312	375	445	563
B, mm	20	26	37	45
C, mm	27	31	40	44
D, mm	18	21	28	35
E, mm	267	267	376	376
F, mm	121	146	180	232
G, mm	40	51	57	71
H, mm	81	95	123	161
J, mm	144	164	193	193
K, mm	53	68	83	83
L, mm	91	96	110	110



UNOplus-A, 750 - 3000 kg,  
single fall



UNOplus-A, 6000 kg,  
double fall



COMPACT & TRANSPORTABLE  
**UNIVERSALLY USABLE  
 & USER FRIENDLY**  
 LIGHTWEIGHT & CAN BE USED IN  
 THE SMALLEST AREAS.

#### Germany

##### **COLUMBUS McKINNON Industrial Products GmbH\***

Yale-Allee 30  
42329 Wuppertal  
Phone: 00 49 (0) 202/69359-0  
Web Site: www.cmco.eu  
Web Site: www.yale.de  
E-mail: info.wuppertal@cmco.eu

##### **COLUMBUS McKINNON Engineered Products GmbH\***

Am Silberpark 2-8  
86438 Kissing  
Phone: 00 49 (0) 8233 2121-777  
Web Site: www.cmco.eu  
Web Site: www.pfaff-silberblau.com  
E-Mail: sales.kissing@cmco.eu

##### **Pfaff Verkehrstechnik GmbH\***

Am Silberpark 2-8  
86438 Kissing  
Phone: 00 49 (0) 8233 2121-4500  
Web Site: www.pfaff-silberblau.com  
E-Mail: verkehrstechnik@pfaff-silberblau.com

#### Austria

##### **COLUMBUS McKINNON Hebeteknik GmbH\***

Gewerbepark, Wiener Straße 132a  
2511 Pfaffstätten  
Phone: 00 43 (0) 22 52/22 133-0  
Web Site: www.cmco-hebeteknik.at  
E-mail: zentrale@cmco.at

#### Switzerland

##### **COLUMBUS McKINNON Switzerland AG**

Dällikerstraße 25  
8107 Buchs ZH  
Phone: 00 41 (0) 44 8 51 55 77  
Web Site: www.cmco.ch  
E-mail: info.buchs@cmco.eu

#### Italy

##### **COLUMBUS McKINNON Italia S.r.l.**

Via 11 Settembre 26  
20023 Cerro Maggiore (MI)  
Phone: 00 39 (0) 331/57 63 29  
Web Site: www.cmco-italia.it  
E-mail: vendite@cmco.eu

#### Netherlands

##### **COLUMBUS McKINNON Benelux B.V.**

Flight Forum 128 a  
5657 DD Eindhoven  
Phone: 00 31 (0) 40/3 03 26 81  
Web Site: www.cmco.eu  
E-mail: sales.nl@cmco.eu

#### France

##### **COLUMBUS McKINNON France SARL\***

Zone Industrielle des Forges  
33 Rue Albert et Paul Thouvenin  
18108 Vierzon Cedex  
Phone: 00 33 (0) 248/71 85 70  
Web Site: www.cmco-france.com  
E-mail: sales.fr@cmco.eu

#### Great Britain

##### **COLUMBUS McKINNON Corporation Ltd.\*\***

Knutsford Way, Sealand Industrial Estate  
Chester CH1 4NZ  
Phone: 00 44 (0) 1244 375375  
Web Site: www.cmco.eu  
E-mail: sales.uk@cmco.eu

#### Northern Ireland & Republic of Ireland

##### **COLUMBUS McKINNON Corporation Ltd.**

1A Ferguson Centre  
57-59 Manse Road  
Newtownabbey BT36 6RW  
Northern Ireland  
Phone: 00 44 (0) 2890 840697  
Web Site: www.cmco.eu  
E-mail: sales.ni@cmco.eu

#### COLUMBUS McKINNON Ireland Ltd.

Unit 4, South Court  
Wexford Road Business Park  
Co. Carlow  
Phone: 00 353 (0) 59 918 6605  
Web Site: www.cmco.eu  
E-Mail: info.irl@cmco.eu

#### Spain & Portugal

##### **COLUMBUS McKINNON Ibérica S.L.U.**

Ctra. de la Esclusa, 21 acc. A  
41011 Sevilla  
Phone: 00 34 954 29 89 40  
Web Site: www.cmiberica.com  
E-mail: informacion@cmco.eu

#### Poland

##### **COLUMBUS McKINNON Polska Sp.z o.o.**

ul. Owsiiana 14  
62-064 PLEWISKA  
Phone: 00 48 (0) 61 6 56 66 22  
Web Site: www.cmco-polska.pl  
E-Mail: kontakt@columbus-mckinnon.pl

#### Hungary

##### **COLUMBUS McKINNON Hungary Kft.\***

Vásárhelyi út 5. VI ép  
8000 Székesfehérvár  
Phone: 00 36 (22) 880-540  
Web Site: www.cmco.hu  
E-mail: sales.hungary@cmco.eu

#### United Arab Emirates

##### **COLUMBUS McKINNON Member**

##### **STAHL CraneSystems FZE**

Warehouse RA 08/SC 08  
P.O. Box 261271  
Jebel Ali Free Zone  
Dubai, U. A. E.  
Phone: 00 971 4 8053 700  
Web Site Stahl: www.stahlcranes.com  
E-mail Stahl: infouae@stahlcranes.com  
Web Site CMCO: www.cmco.eu  
E-mail CMCO: sales.uae@cmco.eu

#### South Africa

##### **CMCO Material Handling (Pty) Ltd.\***

P.O. Box 15557  
Westmead, 3608  
Phone: 00 27 (0) 31/700 43 88  
Web Site: www.cmcosa.co.za  
E-mail: sales@cmcosa.co.za

##### **Yale Engineering Products (Pty) Ltd.**

P.O. Box 4431  
Honeydew, 2040  
Phone: 00 27 (0) 11/794 29 10  
Web Site: www.yalejhb.co.za  
E-mail: info@yalejhb.co.za

##### **Yale Lifting Solutions (Pty) Ltd.\***

P.O. Box 592  
Magaliesburg, 1791  
Phone: 00 27 (0) 14/577 26 07  
Web Site: www.yale.co.za  
E-mail: sales@yalelift.co.za

##### **Yale Lifting Solutions Industrial Division (Pty) Ltd**

P.O.Box 19342  
Pretoria West, 0117  
Phone: 00 27 (0) 12/327 06 96  
Web Site: www.pfaffhoist.co.za  
E-mail: sales@pfaffhoist.co.za

#### Russia

##### **COLUMBUS McKINNON Russia LLC**

ul. Marshala Govorova 35  
Building 4, liter 1, premises 16-N, office 413  
198095 St. Petersburg  
Phone: 007 (812) 322 68 38  
Web Site: www.cmco.ru  
E-mail: info@cmco.ru

