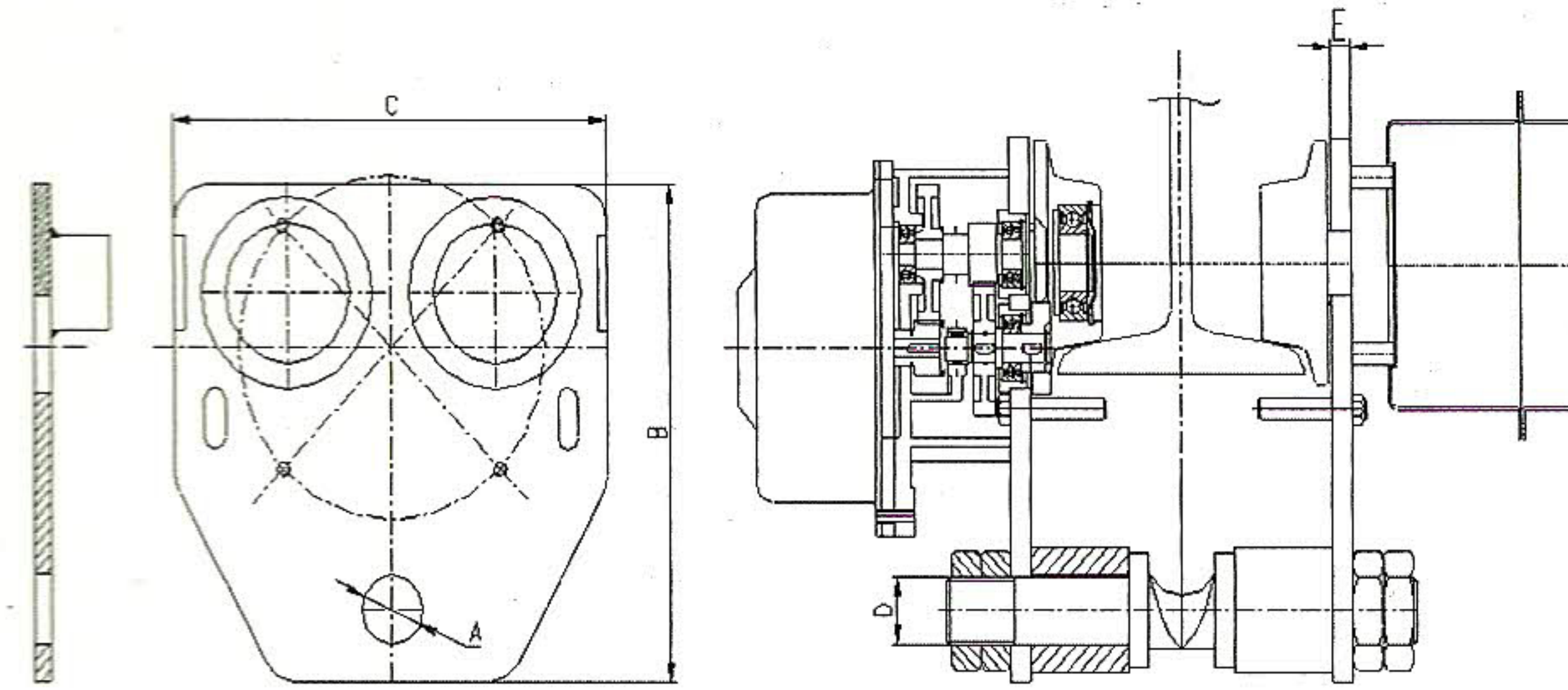


Electric hoist



HHBD3 SERIES THREE PHASE ELECTRIC TROLLEY

Code	Rated Capacity kg	Beam Width mm	A mm	B mm	C mm	D mm	E mm	Running Speed m/min	Ins Class	%ED	Net Weight kg
HHBD310	1000	75-180	27.5	265	260	27	10	20	F	40	43
HHBD320	2000	75-180	36.5	265	260	36	10	20	F	40	45
HHBD330	3000	75-180	42.5	265	260	42	12	15	F	40	47
HHBD350	5000	100-180	30.5	268	390	30X2	16	15	F	40	92