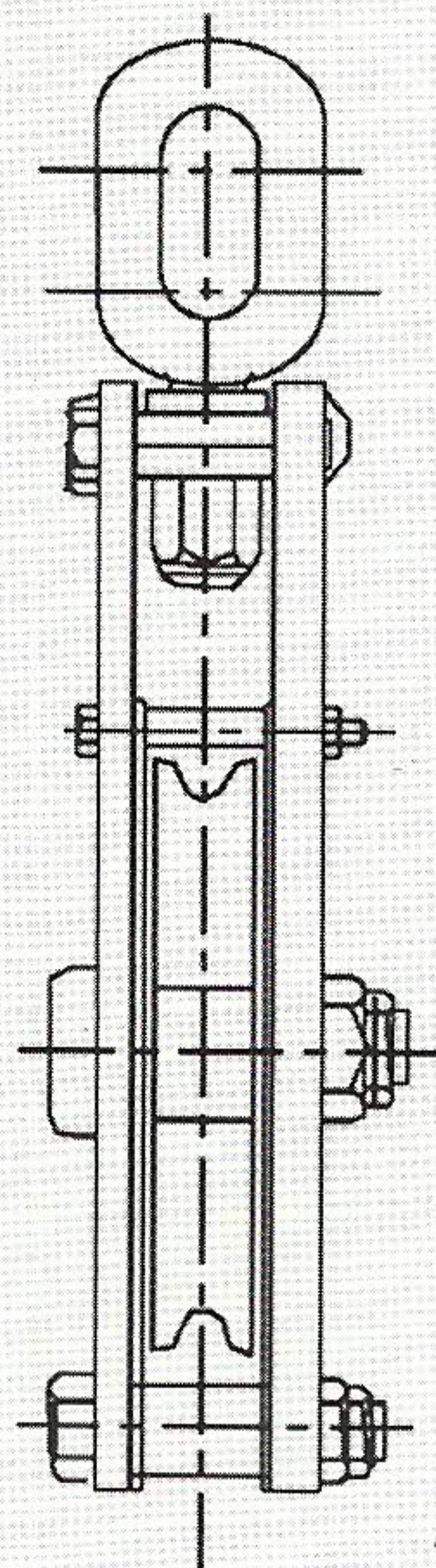
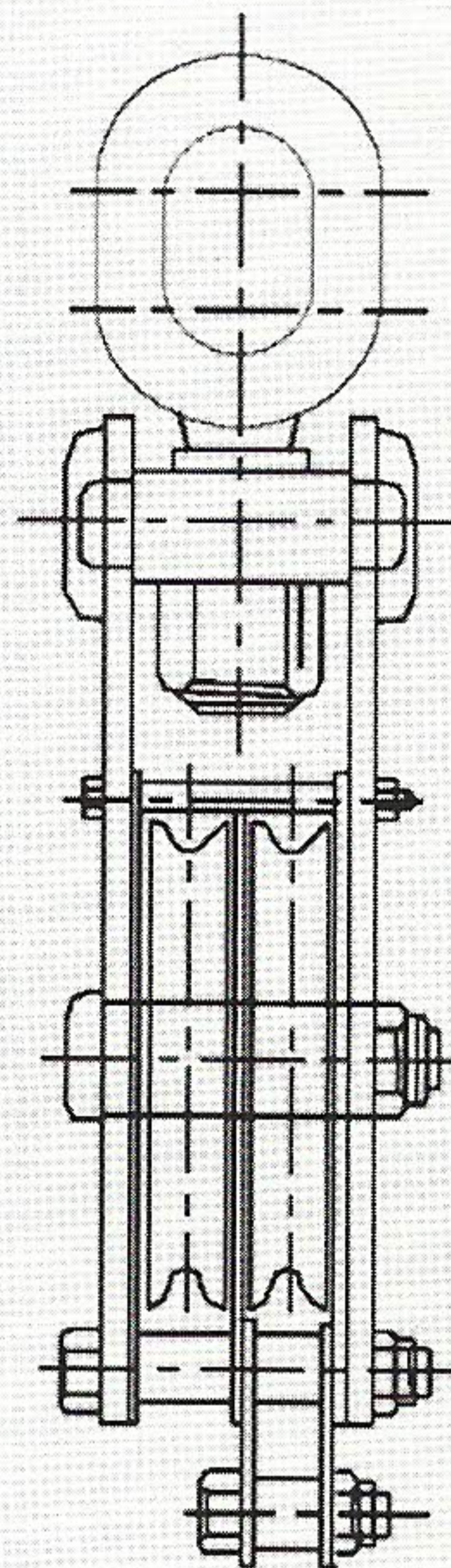


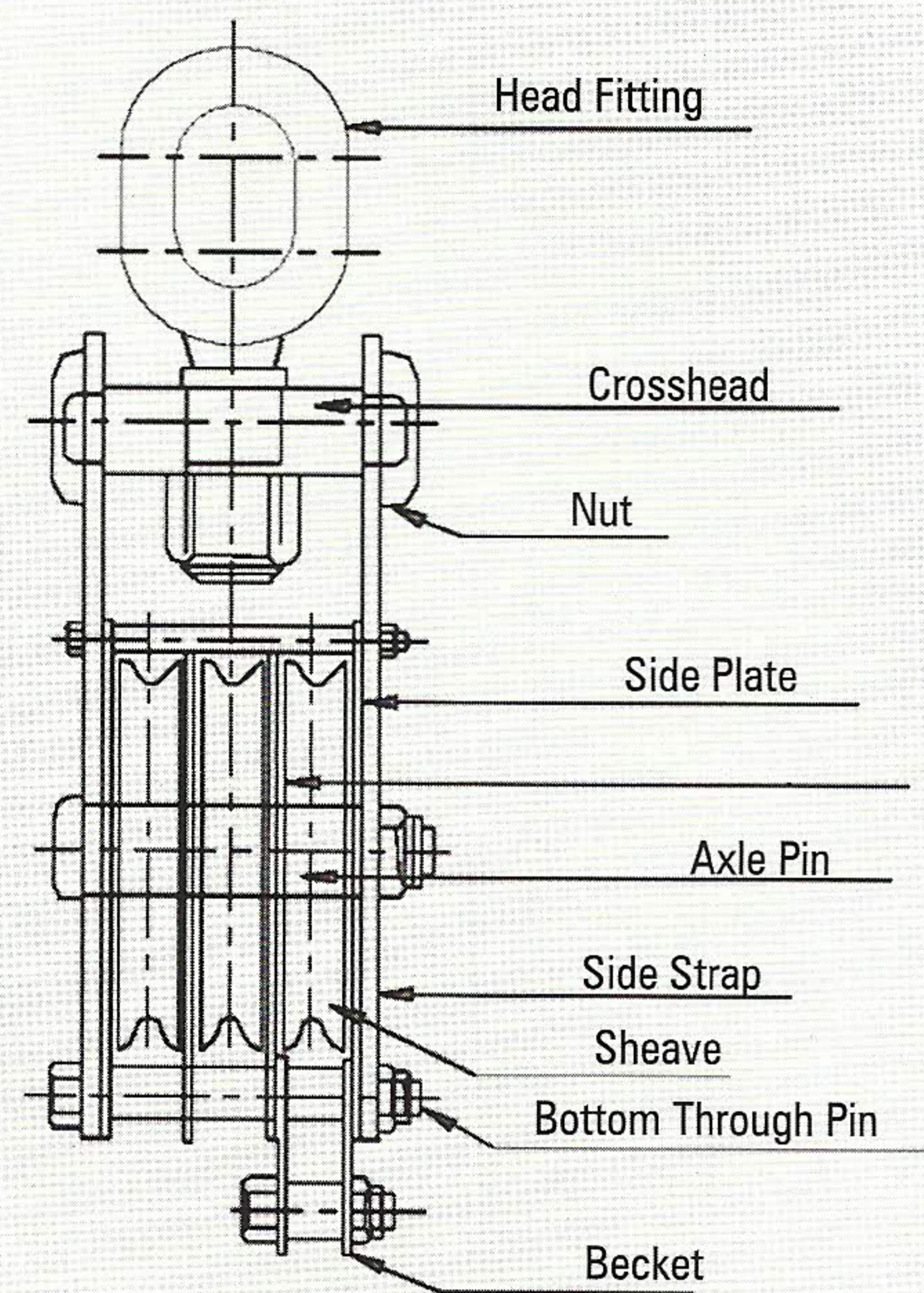
IRON PULLEY BLOCKS For Wire Ropes



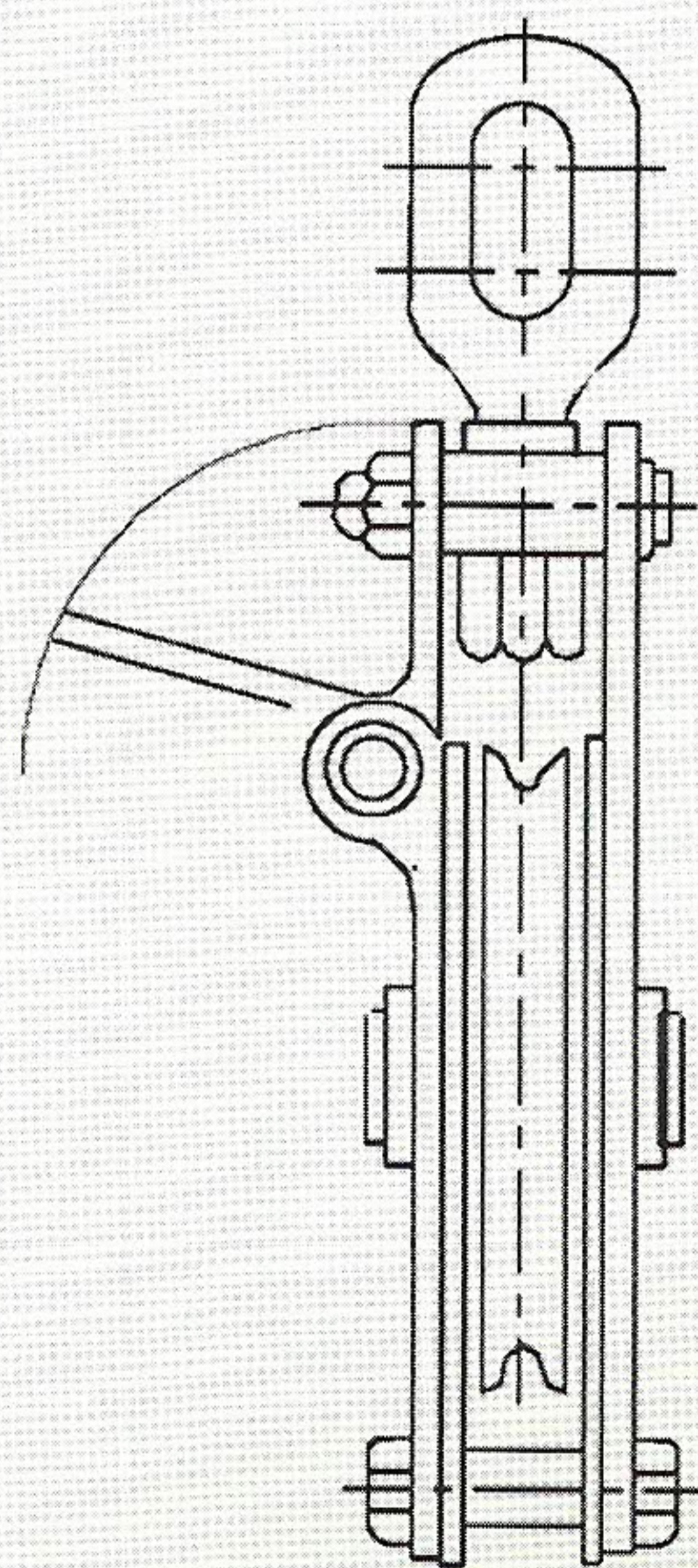
ONE -SHEAVE



TWO -SHEAVE



THREE -SHEAVE



SINGLE SNATCH

Iron Pulley Blocks For Wire Ropes - Heavy duty with swivel oval/round eye head and becket arrangement. The body is of mild steel; swivel oval eyes, cross head of forged steel; axle pin of steel bar and sheaves of grey iron casting (grade 10 or 12) with gun metal bush bearing.

Wire Rope **PULLEY BLOCKS**

IS : 4018 - 1966

A GENERAL IDEA INDICATING THE SAFE WORKING LOADS OF OUR BLOCKS

IRON PULLEY BLOCKS FOR WIRE ROPES heavy duty swivel oval round eye head and becket arrangement. The structural construction shall be generally to IS:4018 of 1966. The body shall be Mild Steel, swivel oval eye cross head of forged steel, axle pin of steel bar and sheaves of Grey iron casting (grade 10 & 12) with Gun Metal Bush Bearing.

| Size | 8 Single Sheave Snatch Capacity in tons | Double Sheave Capacity in tons | Triple Sheave Capacity in tons |
|-------------|---|--------------------------------------|--------------------------------------|
| 6"x 3/8" | 1 | 1.5 | 2 |
| 6"x 1/2" | 1.5 | 2.25 | 3 |
| 8"x 1/2" | 1.5 | 2.25 | 3 |
| 8"x 5/8" | 2.5 | 3.75 | 5 |
| 8"x 3/4" | 3 | 4.5 | 6 |
| 10"x 5/8" | 2.5 | 3.75 | 5 |
| 10"x 3/4" | 3 | 4.5 | 6 |
| 12"x 3/4" | 3 | 4.5 | 6 |
| 12"x 3/4" | 5 | 7.5 | 10 |
| 12"x 1" | 8 | 12 | 16 |
| 12"x 7/8" | 4 | 6 | 8 |
| 14"x 1" | 5 | 7.5 | 10 |
| 14"x 1 1/8" | 8 | 12 | 16 |
| 16"x 1" | 5 | 7.5 | 10 |
| 16"x 1 1/4" | 10 | 15 | 20 |

Selection Criteria: Sheave dia. = at least 12 Rope dia.

Note:

Single sheave Pulley Block

– Four times the safe working load

Multiple Sheave Block with safe working load upto and including 20 tons

– Twice the safe working load

Multiple Sheave Block with safe working load over 20 tons upto and including 40 tons

– 20 tons in excess of the safe working load

Multiple Sheave Block with safe working load over 40 tons

– One and a half times the safe working load