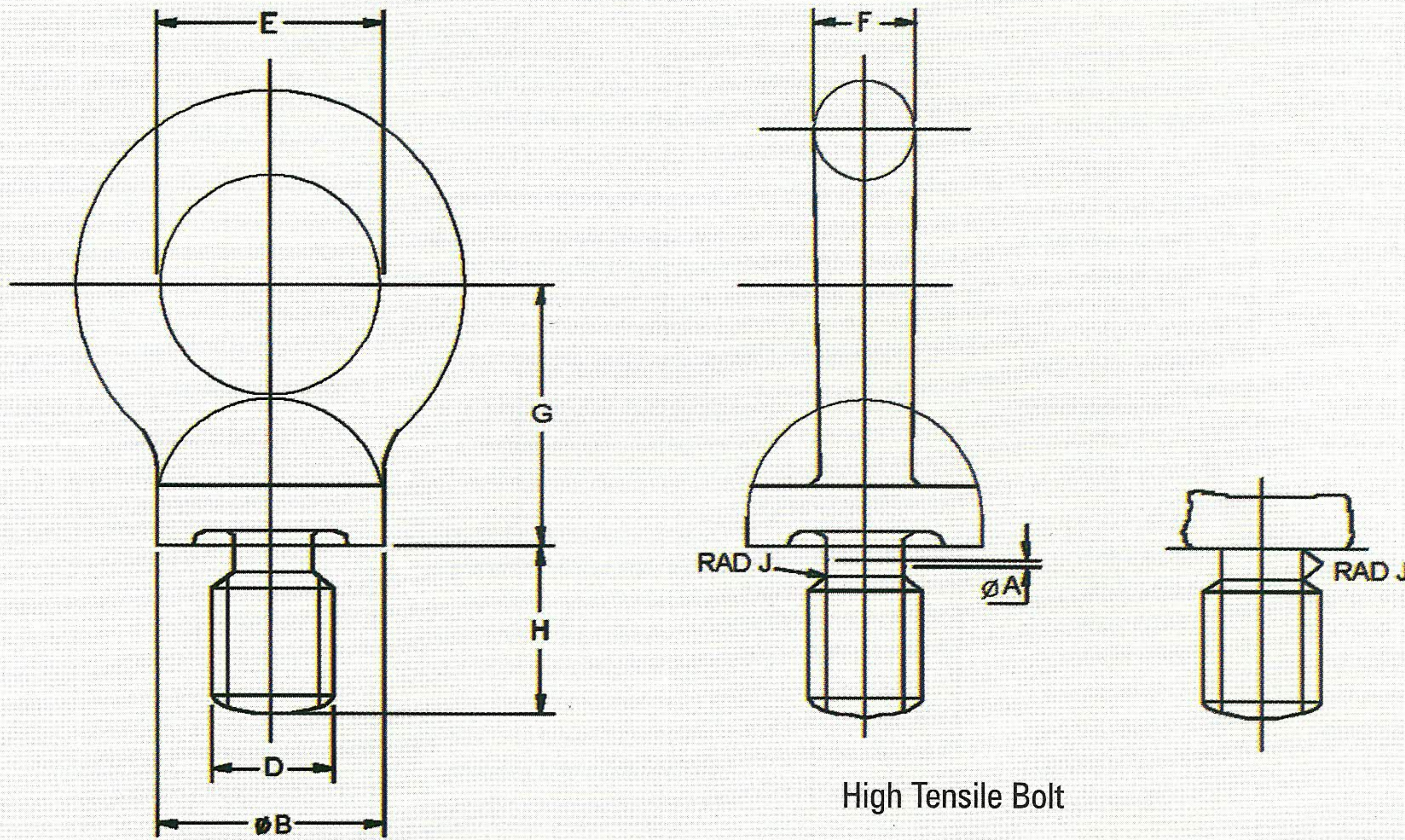


High Tensile EYE BOLTS

High Tensile Forged Eye Bolts With Collar

IS:4190/84



Thread Size D	S.W.L. kgs	A mm	B mm	E mm	F mm	G mm	H mm	J mm	Coarse Pitch
M 8	160	6	20	20	6.3	20	15	1	1.25
M 10	250	7.7	24	24	8	25	17	1	1.5
M 12	400	9.4	28	28	9.5	30	20	1	1.75
M 16	630	13	34	34	12.5	36	24	1	2.0
M 20	1000	16.4	40	40	16	45	27	1	2.5
M 24	1600	19.6	48	48	19	53	31	2	3.0
M 30	2500	25	56	56	24	64	39	2	3.5
M 36	4000	30.3	67	67	28	75	48	3	4.0
M 42	6300	35.6	80	80	34	90	56	3	4.5
M 48	8000	41	95	95	38	100	65	3	5.0
M 56	10000	48.3	112	112	45	119	73	4	5.5
M 64	16000	55.7	125	125	50	135	85	4	6
M 72	20000	63.7	140	140	58	153	95	4	6.0
M 80	25000	71.7	160	160	63	165	110	4	6.0
M 90	30000	81.7	180	180	71	180	125	5	6.0
M 100	40000	91.7	200	200	80	195	140	5	6.0