

## Hand chain hoist with integrated push or geared type trolley (low headroom) model Yalelift LH ATEX

Capacity 500 - 10000 kg

The hand chain hoist model Yalelift LH with integrated low headroom manual trolley is the consequent further development of the Yalelift IT. Wherever an even smaller headroom is essential, the Yalelift LH is the ideal choice.

### Features

- The specially developed chain reeving system and chain guide allow the bottom block to be pulled laterally to the hoist even further up and almost against the beam flange.
- The integrated design of the innovative Yalelift LH uses the same manual trolleys as incorporated in the Yalelift IT series.
- All models of the LH series up to 3000 kg capacity are provided with single chain fall.
- The proven and almost stepless adjustment system allows quick and easy assembly of the trolley.
- The trolleys up to 5 t are offered for two beam ranges. Range A for a flange width up to 180 mm is standard and covers approx. 80% of all requirements. Conversion to range B for beam width up to 300 mm can be easily accomplished.
- The trolley wheels (only for MEDIUM and HIGH design) are designed for a max. beam profile incline of 14% (DIN 1025-1), excellent rolling features are guaranteed by prelubricated, encapsulated ball bearings.
- The low headroom version of the Yalelift IT is adjustable to fit a wide range of beam profiles (e.g. INP, IPE, IPB).
- Anti-drop and anti-tilt devices as standard.
- Explosion protected version with spark resistant coating.
- Trolleys equipped with rubber buffers.
- Copper-coated load hooks for MEDIUM design or higher.
- Stainless steel load chain for HIGH design.

### Options

- Adjustable overload protection device
- Chain container
- Beam locking device to secure the unloaded trolley in a fixed position on the beam (park position e.g. on ships).

**Technical data model Yalelift LHP ATEX BASIC with integrated push type trolley II 3 GD c IIB T4 / II 2 GD c IIA T4**

Model	EAN-No. 4025092*	Capacity in kg/ number of chain falls	Size <sup>1</sup>	Beam flange width b mm	Beam flange thickness t max. mm	Curve radius min. m	Weight <sup>2</sup> kg	Weight <sup>2</sup> with locking device kg
YLLHP ATEX 500	*377522	500/1	A	60 - 180	19	0.9	27	33
YLLHP ATEX 1000	*377539	1000/1	A	70 - 180	19	0.9	35	43
YLLHP ATEX 2000	*377546	2000/1	A	82 - 180	19	1.15	61	69

**Technical data model Yalelift LHP ATEX MEDIUM with integrated push type trolley II 2 GD c IIB T4**

Model	EAN-No. 4025092*	Capacity in kg/ number of chain falls	Size <sup>1</sup>	Beam flange width b mm	Beam flange thickness t max. mm	Curve radius min. m	Weight <sup>2</sup> kg	Weight <sup>2</sup> with locking device kg
YLLHP ATEX 500	*592291	500/1	A	60 - 180	19	0.9	27	33
YLLHP ATEX 1000	*592314	1000/1	A	70 - 180	19	0.9	35	43
YLLHP ATEX 2000	*592321	2000/1	A	82 - 180	19	1.15	61	69

**Technical data model Yalelift LHP ATEX HIGH with integrated push type trolley II 2 GD c IIC T4**

Model	EAN-No. 4025092*	Capacity <sup>3</sup> in kg/ number of chain falls	Size <sup>1</sup>	Beam flange width b mm	Beam flange thickness t max. mm	Curve radius min. m	Weight <sup>2</sup> kg	Weight <sup>2</sup> with locking device kg
YLLHP ATEX 500	*377799	500/1	A	60 - 180	19	0.9	27	33
YLLHP ATEX 1000	*377829	900/1	A	70 - 180	19	0.9	35	43
YLLHP ATEX 2000	*377836	1250/1	A	82 - 180	19	1.15	61	69

<sup>1</sup> Size B on request<sup>2</sup> Weight for standard 3 m lift. Other lifting heights available.<sup>3</sup> Models in HIGH design are already labelled with reduced capacities when delivered.

**Technical data model Yalelift LHG ATEX BASIC with integrated geared type trolley II 3 GD c IIB T4 / II 2 GD c IIA T4**

Model	EAN-No. 4025092*	Capacity in kg/ number of chain falls	Size <sup>1</sup>	Beam flange width b mm	Beam flange thickness t max. mm	Curve radius min. m	Weight <sup>2</sup> kg	Weight <sup>2</sup> with locking device kg
YLLHG ATEX 500	*377744	500/1	A	60 - 180	19	0.9	31	38
YLLHG ATEX 1000	*377768	1000/1	A	70 - 180	19	0.9	40	48
YLLHG ATEX 2000	*378697	2000/1	A	82 - 180	19	1.15	65	73
YLLHG ATEX 3000	*377782	3000/1	A	100 - 180	19	1.5	112	121
YLLHG ATEX 5000	*378703	5000/2	A	110 - 180	27	2.0	157	167
YLLHG ATEX 10000	*378727	10000/3	B	190 - 310	40	1.8	232	on request

**Technical data model Yalelift LHG ATEX MEDIUM with integrated geared type trolley II 2 GD c IIB T4**

Model	EAN-No. 4025092*	Capacity in kg/ number of chain falls	Size <sup>1</sup>	Beam flange width b mm	Beam flange thickness t max. mm	Curve radius min. m	Weight <sup>2</sup> kg	Weight <sup>2</sup> with locking device kg
YLLHG ATEX 500	*594592	500/1	A	60 - 180	19	0.9	31	38
YLLHG ATEX 1000	*594608	1000/1	A	70 - 180	19	0.9	40	48
YLLHG ATEX 2000	*594615	2000/1	A	82 - 180	19	1.15	65	73
YLLHG ATEX 3000	*594622	3000/1	A	100 - 180	19	1.5	112	121
YLLHG ATEX 5000	*594639	5000/2	A	110 - 180	27	2.0	157	167
YLLHG ATEX 10000	*941549	10000/3	B	190 - 310	40	1.8	232	on request

**Technical data model Yalelift LHG ATEX HIGH with integrated geared type trolley II 2 GD c IIC T4**

Model	EAN-No. 4025092*	Capacity <sup>3</sup> in kg/ number of chain falls	Size <sup>1</sup>	Beam flange width b mm	Beam flange thickness t max. mm	Curve radius min. m	Weight <sup>2</sup> kg	Weight <sup>2</sup> with locking device kg
YLLHG ATEX 500	*377843	500/1	A	60 - 180	19	0.9	31	38
YLLHG ATEX 1000	*377867	900/1	A	70 - 180	19	0.9	40	48
YLLHG ATEX 2000	*377874	1250/1	A	82 - 180	19	1.15	65	73
YLLHG ATEX 3000	*377898	2000/1	A	100 - 180	19	1.5	112	121
YLLHG ATEX 5000	*377911	4000/2	A	110 - 180	27	2.0	157	167
YLLHG ATEX 10000	*377928	6000/3	B	190 - 310	40	1.8	232	on request

<sup>1</sup> Size B on request

<sup>2</sup> Weight for standard 3 m lift. Other lifting heights available.

<sup>3</sup> Models in HIGH design are already labelled with reduced capacities when delivered.

**INFO**

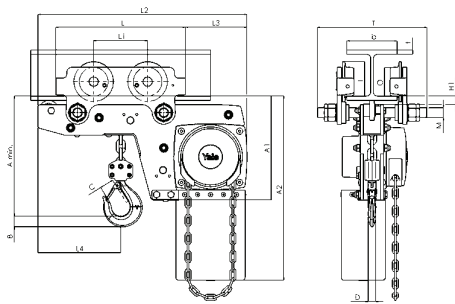
Yale hoists and trolleys are not designed for passenger elevation applications and must not be used for this purpose.

Copper-coated for MEDIUM design or higher!

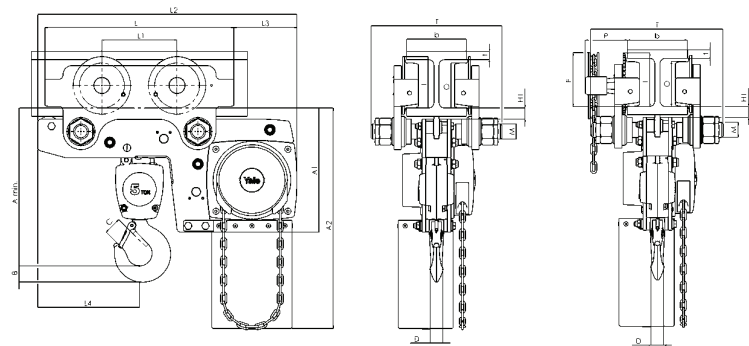


**Dimensions model Yalelift LH ATEX**

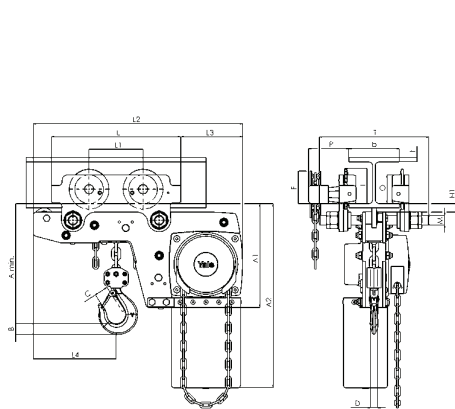
Model	YLLH ATEX 500	YLLH ATEX 1000	YLLH ATEX 2000	YLLH ATEX 3000	YLLH ATEX 5000	YLLH ATEX 10000
A min., mm	188	211	264	316	425	565
A1, mm	223	250	289	346	345	365
A2, mm	381	427	511	614	612	665
B, mm	17	22	30	38	45	68
C, mm	24	29	35	40	47	68
D, mm	14	19	22	30	37	50
F (Geared trolley), mm	92	92	91	107	150	150
H1, mm	24	24	24	32	31	45
I (Push trolley), mm	72	72	96	131	143	170
I (Geared trolley), mm	77	77	98	133	149	170
L, mm	270	310	360	445	525	485
L1, mm	130	130	150	180	209	225
L2, mm	444	488	582	690	720	805
L3, mm	124	135	172	203	175	215
L4, mm	184	201	230	265	283	348
M, mm	M18	M22	M27	M30	M42	M48
O, mm	60	60	80	112	125	150
P (Geared trolley), mm	108	110	112	112	117	165
T (Area A), mm	280	290	305	320	364	440
T (Area B), mm	400	410	425	440	484	540



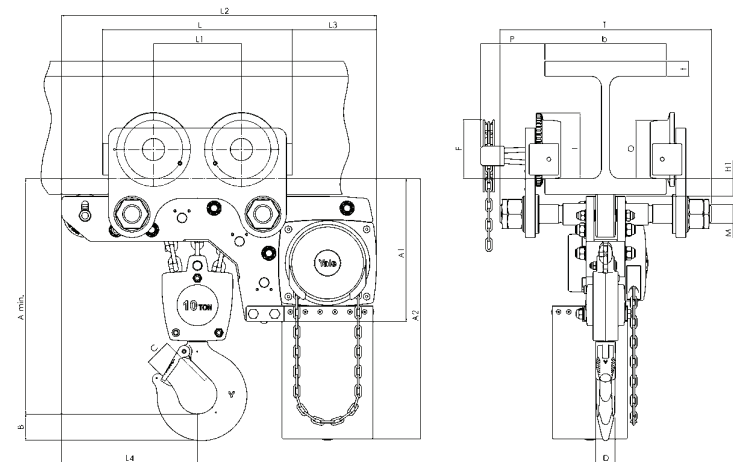
Model Yalelift LHP ATEX, 500 - 3000 kg, single fall



Model Yalelift LHP/LHG ATEX, 5000 kg, double fall



Model Yalelift LHG ATEX, 500 - 3000 kg, single fall



Model Yalelift LHG ATEX, 10000 kg, three fall